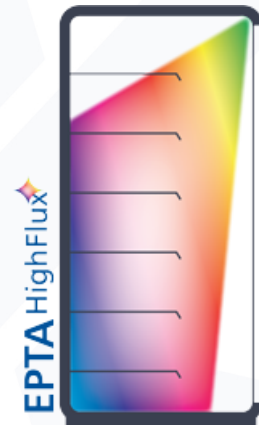
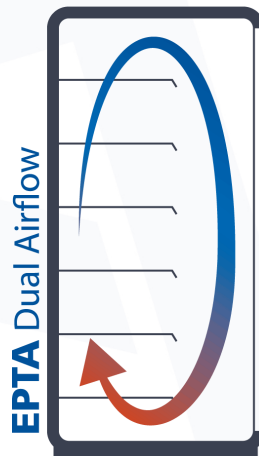




# Chilled vertical cabinets GRANVISTA URBAN



Epta S.p.A. participates in the ECC programme for:  
 Refrigerated display cabinets (RDC). Check ongoing validity  
 of certificate online: [www.eurovent-certification.com](http://www.eurovent-certification.com)  
 or using: [www.certiflash.com](http://www.certiflash.com)



## Product categories





Technical features

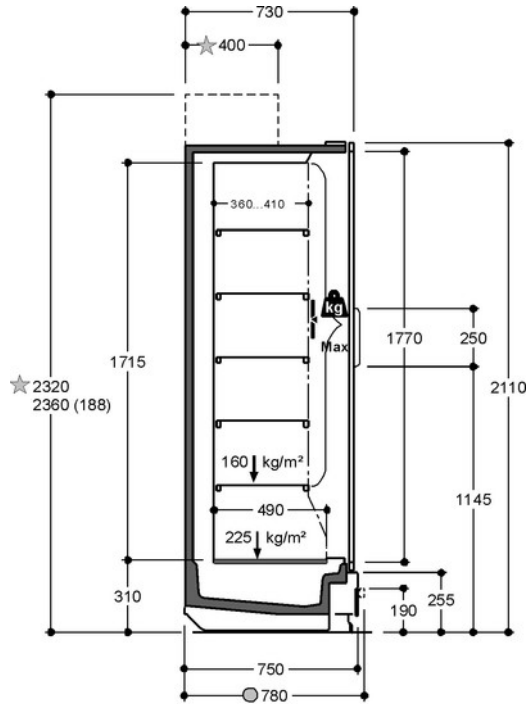




GRANVISTA URBAN			
Length mm		Compact	Narrow
GRANVISTA URBAN	Closed	•	•
	Open	•	•
Display area m2	Closed	2.11	2.22
	Open	2.26	2.26
Loading area m2	Closed	0.90	1.10
	Open	0.90	1.10
End thickness mm		End thickness mm : 30.00 (+ 35 Bumper rail )	

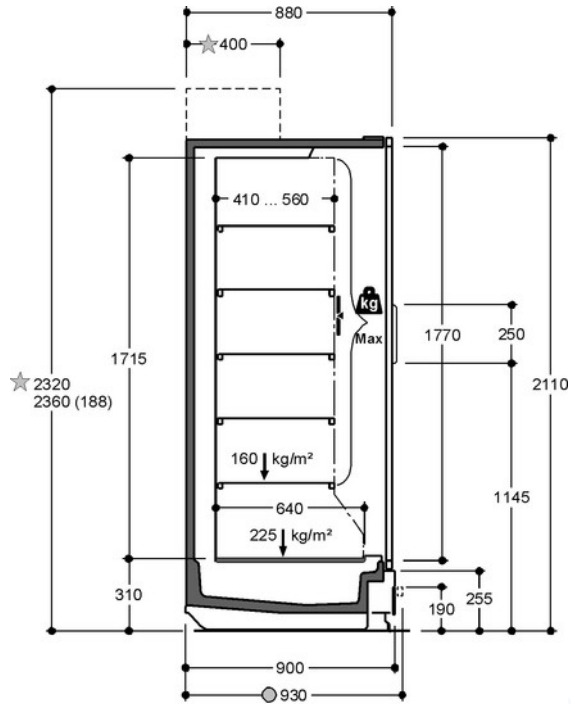


GRANVISTA URBAN CLOSED 20 C



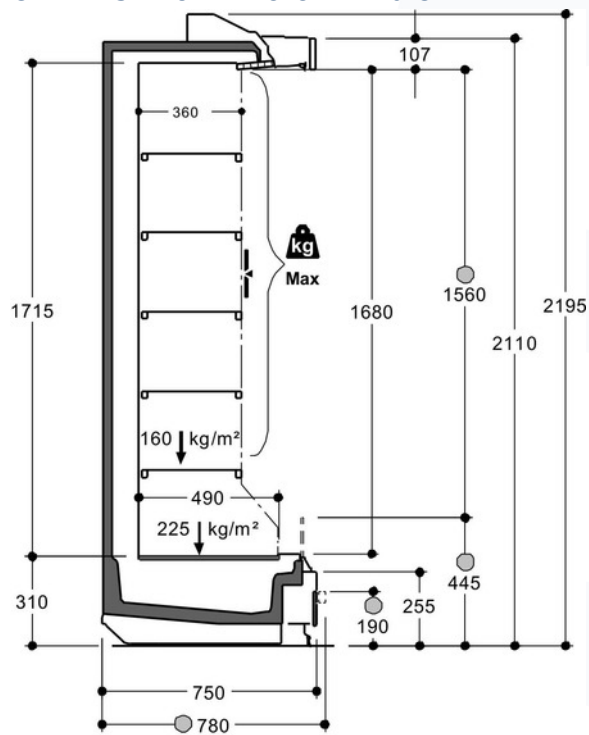
- Option
- ★ EptaBlue

GRANVISTA URBAN CLOSED 20 N



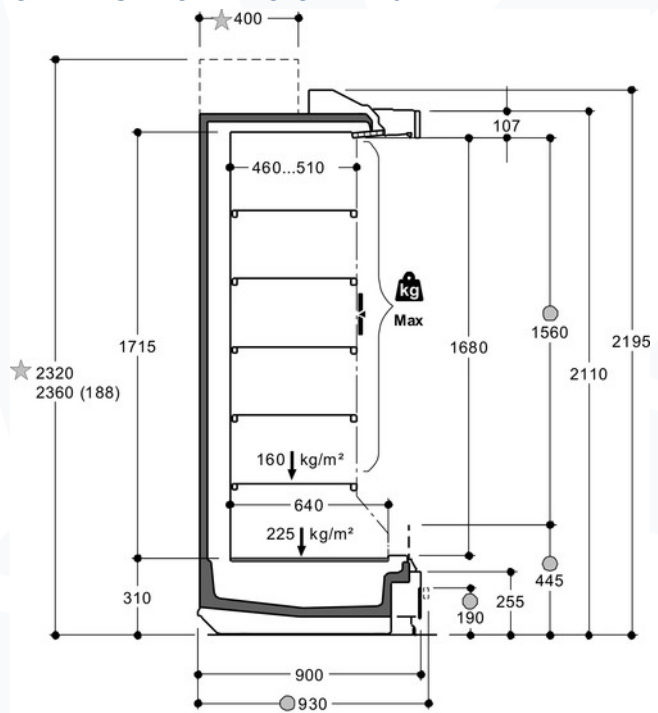
- Option
- ★ EptaBlue

GRANVISTA URBANO OPEN 20 C



- Option

GRANVISTA URBANO OPEN 20 N



- Option
- ★ EptaBlue



## Legend

 Meat	 Chicken	 Fish	 Pre-packed fish
 Delicatessen	 Cheese	 Dairy products	 Gastronomy
 Pastries	 Pre-packed fruit and vegetables	 Fruits and Vegetables	 Sandwiches
 Drinks	 Pizza	 Bread	 Frozen food and ice cream
 Off-cycle defrost	 Electric defrost	 Hot-gas defrosting system	 Manual defrost
 Ventilated	 Static	 Incorporated condensing unit	 Remote condensing unit
 Bagnomaria	 Ceramic glass	 Ice	 VSD Inverter technology
 LED lighting	 Zero C doors	 High efficiency fans	 R290 Propane refrigerant gas (R290)
 R134a R-134a - 400V/3PH/50Hz	 R404A R404A - 400V/3PH/50Hz	 R744 R744 - 400V/PH/50Hz	 Compressor hermetic reciprocating
 Hermetic scroll compressor	 Semi-hermetic reciprocating compressor	 VSD Inverter technology	 External installation
 Machinery room	 Soundproof housing	 On board condenser	 Remote condenser
 DUAL Medium & Low temperature	 Technokleen	 Thin Tech	 EB